

**PLEASE CHECK WWW.MOLEX.COM FOR LATEST PART INFORMATION**

**Part Number:** [0008500135](#)  
**Status:** **Active**  
**Overview:** [kk](#)  
**Description:** KK® Cat Ear Crimp Terminal 4809, 22-30 AWG, Tin, Bag

**Documents:**

[Drawing \(PDF\)](#) [Product Specification PS-99020-0088 \(PDF\)](#)  
[Product Specification PS-10-07 \(PDF\)](#) [RoHS Certificate of Compliance \(PDF\)](#)

**General**

Product Family	Crimp Terminals
Series	<a href="#">4809</a>
Crimp Quality Equipment	Yes
Overview	<a href="#">kk</a>
Product Name	Cat Ear, KK®

**Physical**

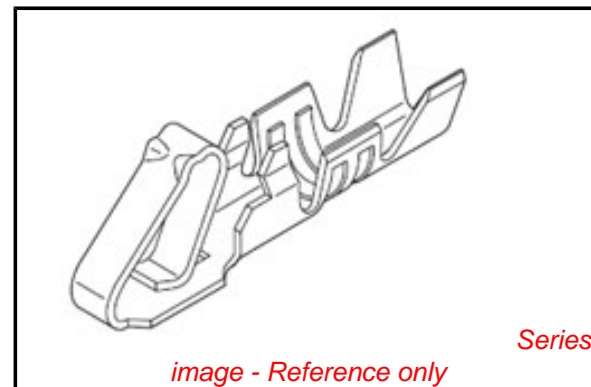
Gender	Female
Material - Metal	Brass
Material - Plating Mating	Tin
Packaging Type	Reel
Termination Interface: Style	Crimp or Compression
Wire Insulation Diameter	1.57mm (.062") max.
Wire Size AWG	22, 24, 26, 28, 30
Wire Size mm²	N/A

**Material Info**

Old Part Number	4809-(P914)
-----------------	-------------

**Reference - Drawing Numbers**

Product Specification	PS-10-07, PS-99020-0088
Sales Drawing	SD-4809-*



*image - Reference only*

**EU RoHS**

**ELV and RoHS  
Compliant**  
**REACH SVHC  
Contains SVHC: No**  
**Halogen-Free  
Status**

**China RoHS**



**Need more information on product  
environmental compliance?**

Email [productcompliance@molex.com](mailto:productcompliance@molex.com)  
 For a multiple part number RoHS Certificate of Compliance, [click here](#)

Please visit the [Contact Us](#) section for any non-product compliance questions.

**Search Parts in this Series**

[4809Series](#)

**Application Tooling | [FAQ](#)**

*Tooling specifications and manuals are found by selecting the products below. Crimp Height Specifications are then contained in the Application Tooling Specification document.*

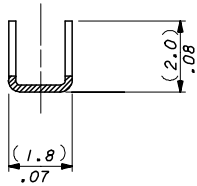
**Global**

Description	Product #
Terminator Die	<a href="#">0011402102</a>
Mini-Mac™ for KK® Cat Ear and Anti Fish Hook Crimp Terminals, 22-30 AWG	<a href="#">0638887000</a>

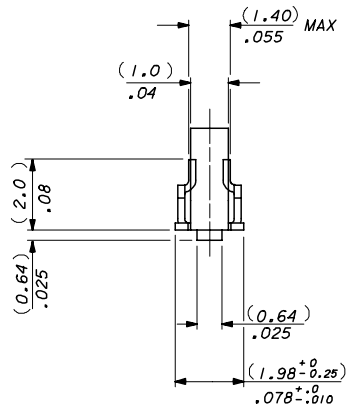
NOTES\*

1. MATERIAL: (0.2)/.008 THICK BRASS 70/30, FOR MATL. SPEC SEE SHEET 2.
2. SUITABLE FOR 22-30 GA WIRE, (1.57)/.062 MAX INSULATION.
3. CODE LETTER PRECEDING PART No DESIGNATES MANUFG. LOCATION, I=IRELAND.
4. TERMINAL MUST MEET BEND SPEC. SDES-219.
5. THIS PART CONFORMS TO PROD. SPEC. 99020-0088

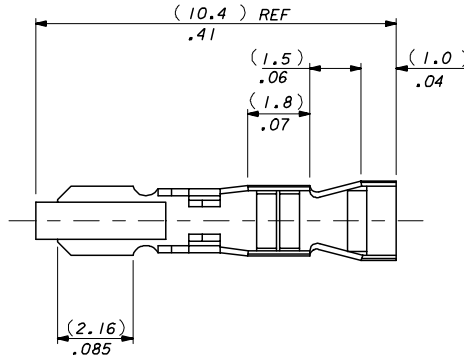
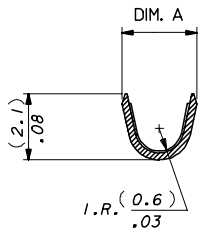
SECTION D-D  
(4809-1T ONLY)



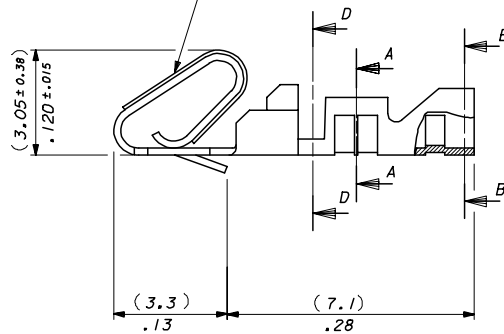
SECTION B-B



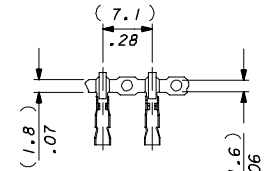
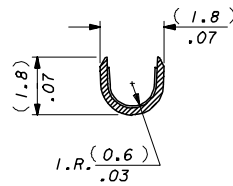
SECTION A-A



SELECTIVE PLATING AREA,  
SEE CHART AND SDES-186



SECTION A-A



CARRIER STRIP DETAIL  
SCALE 2:1

4809-(\*)\*\*

BLANK : DIM. A = (2.45-1.75) / .096-.069

M: DIM A = (2.35-2.05) / .093-.081

PLATING CODE

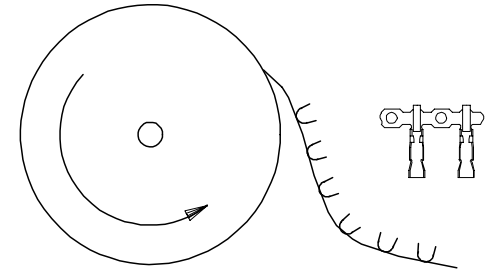
BLANK-CHAIN FORM TOP  
FEEDING REEL  
L-LOOSE FORM

BF-CHAIN FORM, BOTTOM  
FEEDING REEL

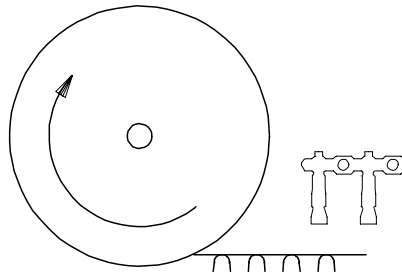
DIM CORRECTION EC NO. E2007-0218 DRAWN: JDENNEHY 2006/09/15 CHKD: DMOR IARTY 2006/09/15 APPR: JDENNEHY 2006/10/11	DESCRIPTION	QUALITY SYMBOLS		GENERAL TOLERANCES (UNLESS SPECIFIED)		DIMENSION STYLE		SCALE	DESIGN UNITS	THIRD ANGLE PROJECTION	
		mm	INCH	MM/IN	MM/IN	10:1	METRIC				
AL	REV	4 PLACES	± .005	± .005	± .005	DRAWN BY	DATE	TITLE			
		3 PLACES	± .010	± .010	± .010	MCC	1986/07/30	ANTI-FISH HOOKING TERMINAL KK.(2.50)/.100			
		2 PLACES	± 0.25	± .014	± .014	CHECKED BY	DATE	MATERIAL NO.			
		1 PLACE	± 0.35	± .014	± .014	DMOR IARTY	2004/10/18	DOCUMENT NO.			
		ANGULAR ± ---°		± .014	± .014	APPROVED BY	DATE	MOLEX INCORPORATED		SHEET NO.	
		DRAFT WHERE APPLICABLE MUST REMAIN WITHIN DIMENSIONS		SEE CHART		JDENNEHY	2004/10/19	SD-4809-*		1 OF 2	
		SIZE		THIS DRAWING CONTAINS INFORMATION THAT IS PROPRIETARY TO MOLEX INCORPORATED AND SHOULD NOT BE USED WITHOUT WRITTEN PERMISSION							

**FINISH NOTES\***

- (P902) HOT TIN DIP 1.0- 2.5µM/(.000040 - .000100)
- (999) UNPLATED
- (109) ELECTRO TIN PLATE (7.6-10µM)/.000300-.000400 OVER (1.25-2.0µM)/.000050-.000080 COPPER.
- (505) GOLD PLATE (1.25-1.5µM)/.000050-.000060 OVER (1.25-2.0µM)/.000050-.000080 NICKEL.
- (506) GOLD PLATE (1.25-1.5µM)/.000050-.000060 OVER (2.5-3.25µM)/.000100-.000130 NICKEL.
- (507) GOLD PLATE (2.5-2.75µM)/.000100-.000110 OVER (1.25-2.0µM)/.000050-.000080 NICKEL.
- (509) GOLD PLATE (1.25-1.5µM)/.000050-.000060 OVER (0.76-2.0µM)/.000030-.000080 NICKEL.
- (550) GOLD PLATE (0.38-0.63µM)/.000015-.000025 OVER (0.76-1.5µM)/.000030-.000060 NICKEL IN CONTACT AREA WITH (0.12µM)/.000005 MIN. GOLD FLASH OVERALL.
- (555) SELECTIVE GOLD (0.38µM)/.000015 OVER (0.76µM)/.000030 IN CONTACT AREA ONLY.
- (558) GOLD PLATE (0.76-1.5µM)/.000030-.000060 OVER (1.25-2.0µM)/.000050-.000080 NICKEL IN CONTACT AREA WITH (0.12µM)/.000005 MIN. GOLD FLASH OVERALL.



TERMINALS FEEDING FROM THE TOP OF THE REEL ARE STANDARD WOUND



TERMINALS FEEDING FROM THE BOTTOM OF THE REEL ARE REVERSE WOUND SEE NOTE 5

I	08-50-0022	4809-(109)BF	CHAIN	(109)	(2.1)/.083 REF
I	40-01-0831	↑ -(999)BF	↑	(999)	(2.1)/.083 REF
	NT	-(505)BF		(505)	(2.1)/.083 REF
	NT	-(507)BF		(507)	(2.1)/.083 REF
I	08-55-0119	↓ -(555)BF	↓	(555)	(2.1)/.083 REF
I	08-56-0155	↓ -(550)BF	↓	(550)	(2.1)/.083 REF
I	08-50-0021	4809-(P902)BF	CHAIN	(P902)	(2.1)/.083 REF
	PART No	ENG No	FORM	FINISH	DIM . A

BOTTOM FEEDING REELS ONLY

	NT	4809-(506)	CHAIN	(506)	ES-99001-0014	(2.1)/.083 REF
	NT	↑ -(506)JL	LOOSE	(506)		(2.1)/.083 REF
I	08-56-0158	↓ -(558)JL	CHAIN	(558)		(2.1)/.083 REF
	NT	-(558)JL	LOOSE	(558)		(2.1)/.083 REF
	NT	-(509)JL	CHAIN	(509)		(2.1)/.083 REF
	NT	-(509)JL	LOOSE	(509)		(2.1)/.083 REF
	NT	-(109)JL	CHAIN	(109)		(2.1)/.083 REF
	NT	-(109)JL	LOOSE	(109)		(2.1)/.083 REF
I	40-01-0829	↓ -(999)JL	CHAIN	(999)		(2.1)/.083 REF
I	40-01-0830	↓ -(999)JL	LOOSE	(999)		(2.1)/.083 REF
	NT	-(505)JL	CHAIN	(505)		(2.1)/.083 REF
	NT	-(505)JL	LOOSE	(505)		(2.1)/.083 REF
	NT	-(507)JL	CHAIN	(507)		(2.1)/.083 REF
	NT	-(507)JL	LOOSE	(507)		(2.1)/.083 REF
I	08-55-0110	↓ -(555)JL	CHAIN	(555)		(2.1)/.083 REF
I	08-55-0111	↓ -(555)JL	LOOSE	(555)		(2.1)/.083 REF
	08-56-0120	↓ -(550)JL	CHAIN	(550)	ES-99001-0014	(2.1)/.083 REF
	08-56-0115	↓ -(550)JL	LOOSE	(550)		(2.1)/.083 REF
I	08-50-0135	↓ -(P902)JL	CHAIN	(P914)	ES-99001-0015	(2.1)/.083 REF
I	08-50-0136	4809-(P902)JL	LOOSE	(P914)	ES-99001-0015	(2.1)/.083 REF
	PART No	ENG No	FORM	FINISH	MATL. SPEC.	DIM . A

TOP FEEDING REELS ONLY

ADDED PART OPTION ECC No: E2005-0286 DRWNG: MCKWEN 2004/11/03 CHK'D: DMOR IART 2004/11/03 APPR: JDEWNEY 2004/11/04 REV	DESCRIPTION QUALITY SYMBOLS ▽=0 ▽=0	GENERAL TOLERANCES (UNLESS SPECIFIED)		DIMENSION STYLE	SCALE	DESIGN UNITS	THIRD ANGLE PROJECTION	
				MM/IN	NTS	METRIC		
				mm	INCH			
				4 PLACES ± --- ± ---				
		3 PLACES ± --- ± .010						
		2 PLACES ± 0.25 ± .014						
		1 PLACE ± 0.35 ± ---						
		ANGULAR ± --- °						
		DRAFT WHERE APPLICABLE MUST REMAIN WITHIN DIMENSIONS		SEE CHART	SD-4809-*		SHEET NO. 2 OF 2	

ANTI-FISH HOOKING TERMINAL KK,(2.50)/.100

MOLEX MOLEX INCORPORATED

THIS DRAWING CONTAINS INFORMATION THAT IS PROPRIETARY TO MOLEX INCORPORATED AND SHOULD NOT BE USED WITHOUT WRITTEN PERMISSION